

# Typical Fixing Detail

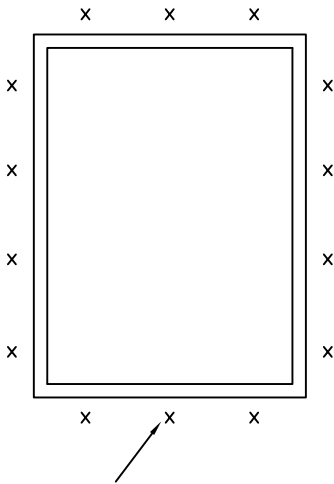


**System 1-35 Hi/Hi+**

TOP SWING WINDOW

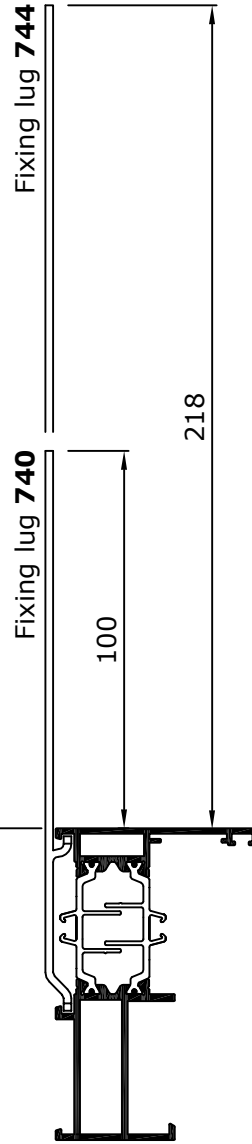
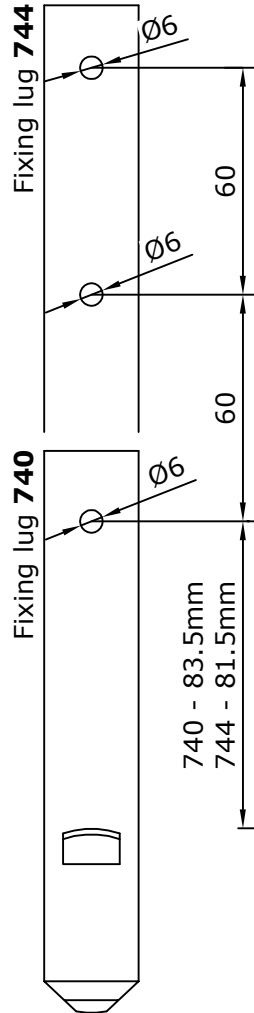
Fixing lug provide lateral restraint only. Dead load support to be provided by perimeter structure.

When using head liner TSP021021 or a sub-cill, the fixing lugs 6739 or 6740 should be used at positions indicated.

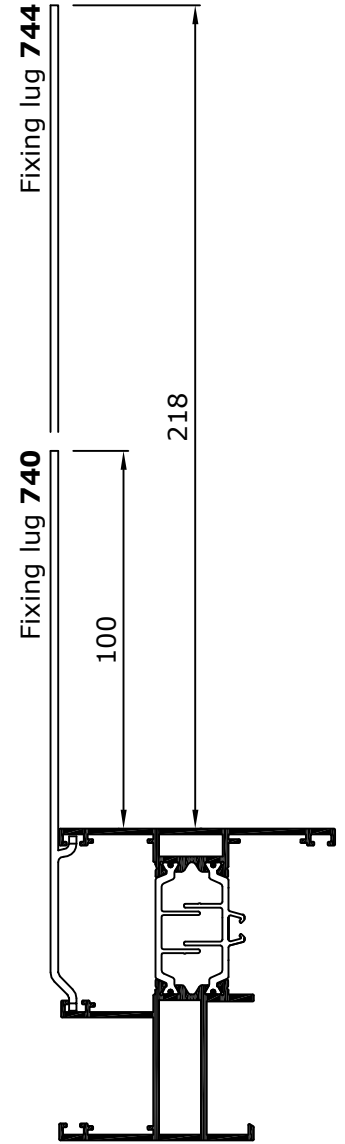


Positions of fixing lugs 150mm from corners and maximum 600mm centres and 150mm either side of a mullion / transom

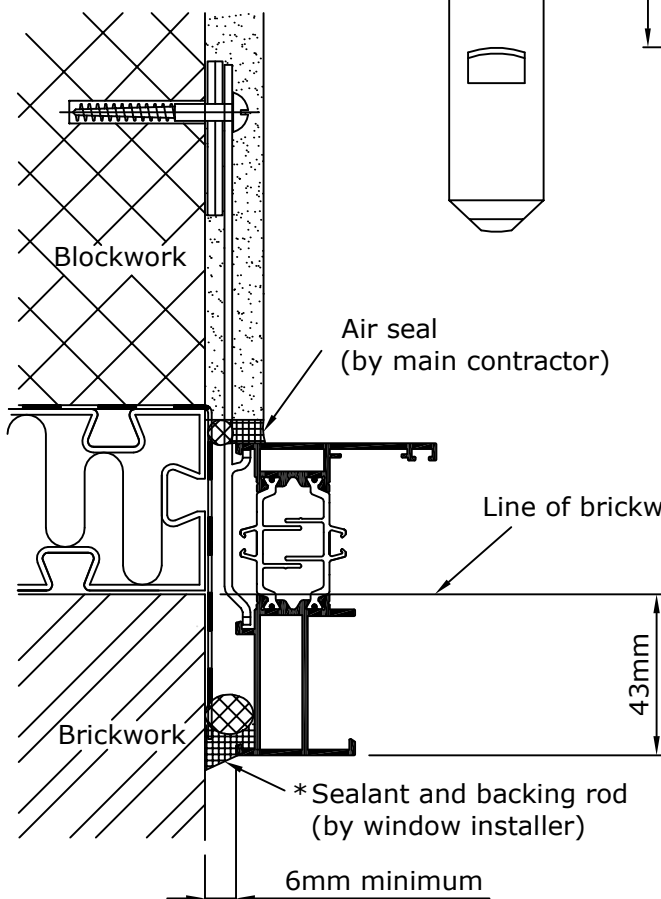
All fixings to be adequate and suitable for loading conditions and application. See sheet "Fixing Lug - Structural Limitations"



Section TSP023024



Section TSP025026



\* All sealants to be installed in strict accordance with manufacturers relevant details and BS 6093 to suit site conditions.

Scale 1:2

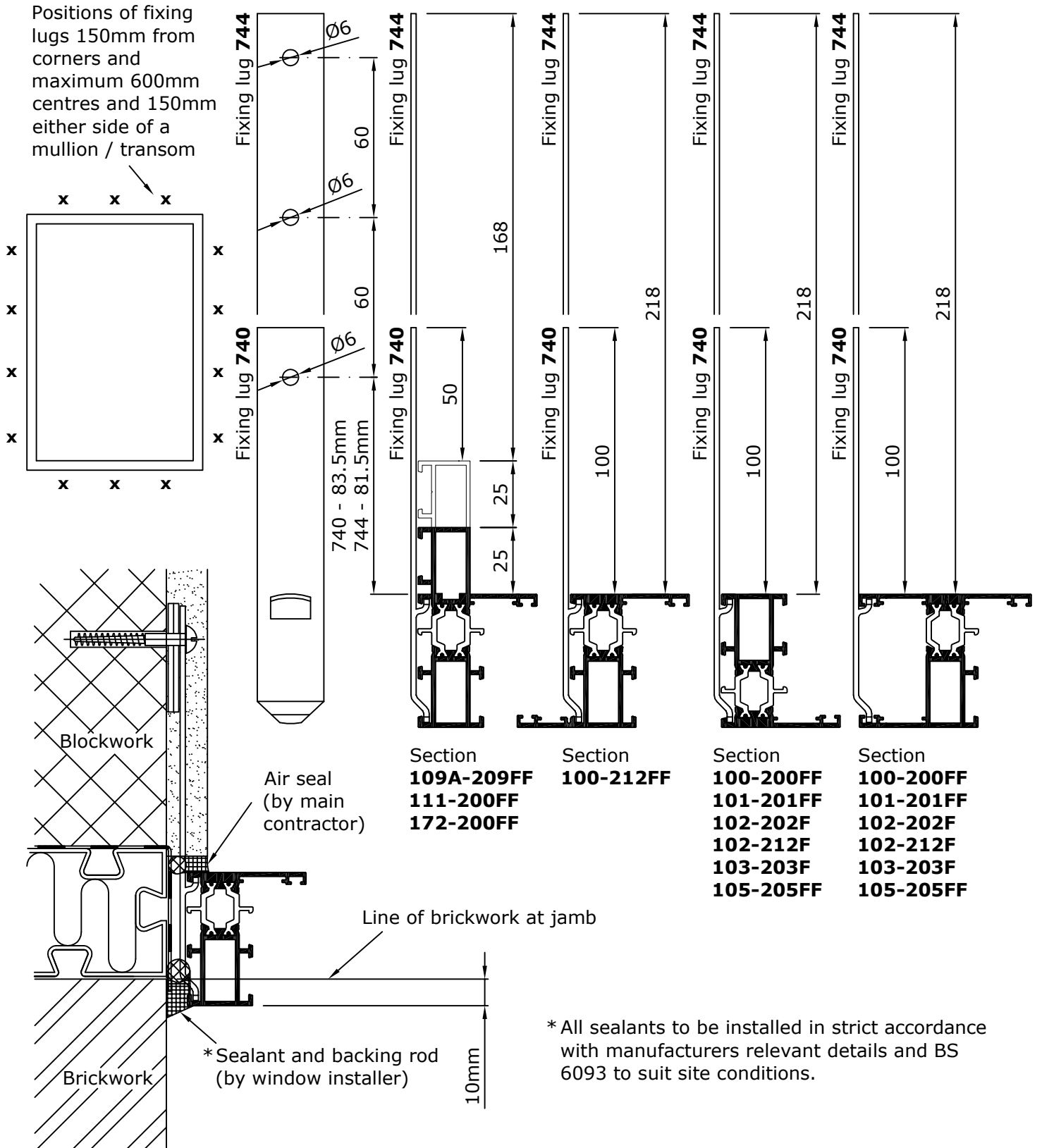
# Typical Fixing Detail

Fixing lugs provide lateral restraint only. Dead load support to be provided by perimeter structure.

All fixings to be adequate and suitable for loading conditions and application.

See sheet "Fixing Lug - Structural Limitations"

Particular consideration should be given to the dead load acting on the fixing lugs which may be cantilevered over the wall cavity at cill level. Additional support may be required.



\* All sealants to be installed in strict accordance with manufacturers relevant details and BS 6093 to suit site conditions.

Scale 1:2

# Typical Fixing Detail



**System 4-35 Hi/Hi+**

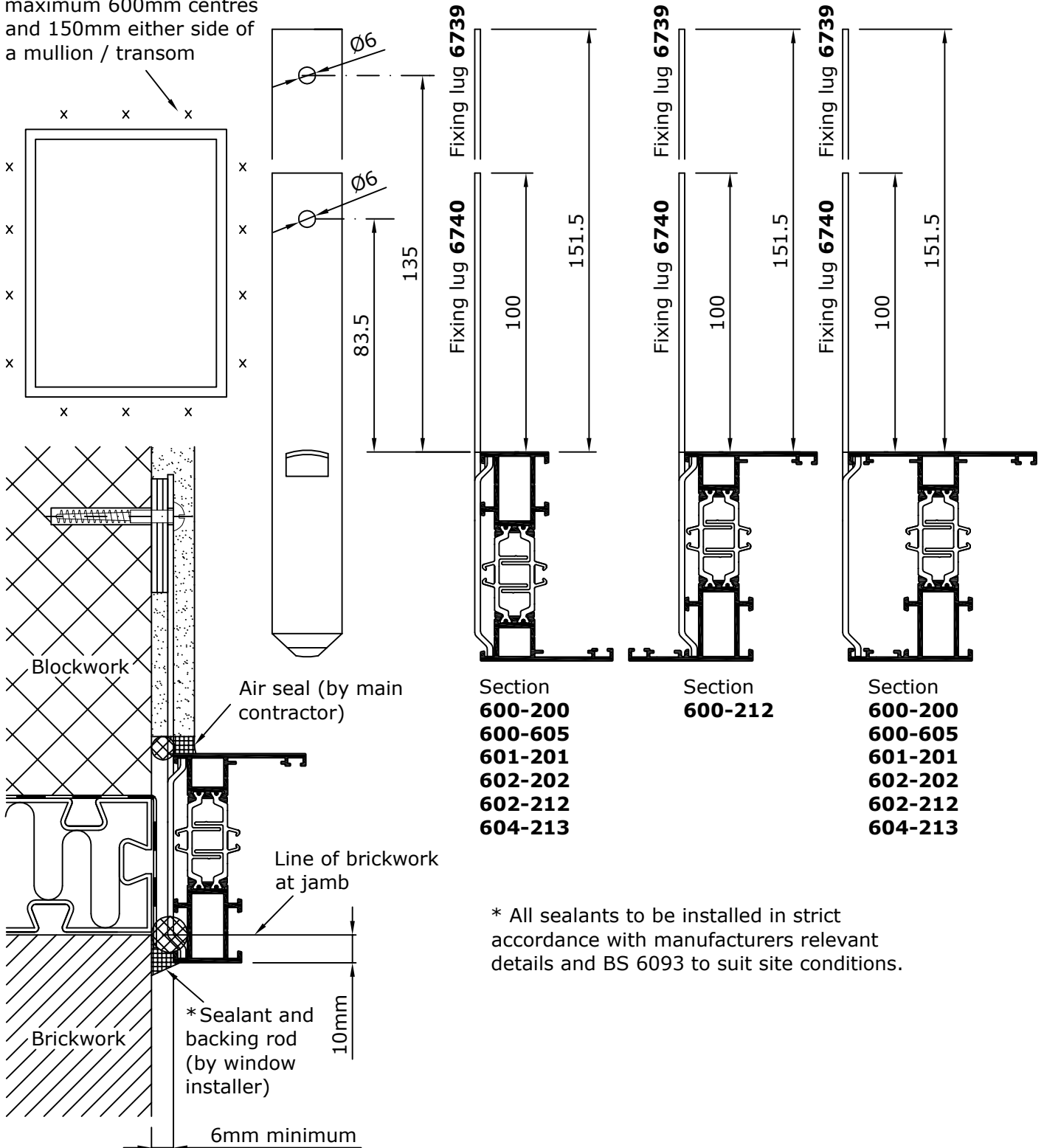
.....  
CASEMENT WINDOW  
.....

Fixing lugs provide lateral restraint only. Dead load support to be provided by perimeter structure.  
All fixings to be adequate and suitable for loading conditions and application.

See sheet "Fixing Lug - Structural Limitations"

Particular consideration should be given to the dead load acting on the fixing lugs which may be cantilevered over the wall cavity at cill level. Additional support may be required.

Positions of fixing lugs  
150mm from corners and  
maximum 600mm centres  
and 150mm either side of  
a mullion / transom



Section  
**600-200**  
**600-605**  
**601-201**  
**602-202**  
**602-212**  
**604-213**

Section  
**600-212**

Section  
**600-200**  
**600-605**  
**601-201**  
**602-202**  
**602-212**  
**604-213**

\* All sealants to be installed in strict accordance with manufacturers relevant details and BS 6093 to suit site conditions.

Scale 1:2

SHEET 435Hi / 8 / 100

rev 9

25/03/16

# Typical Fixing Detail

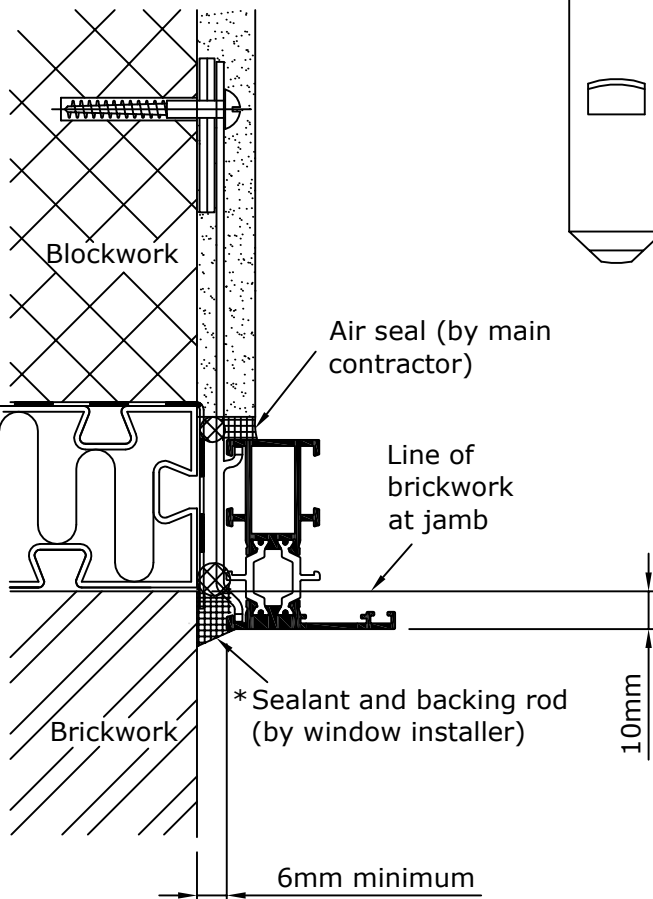
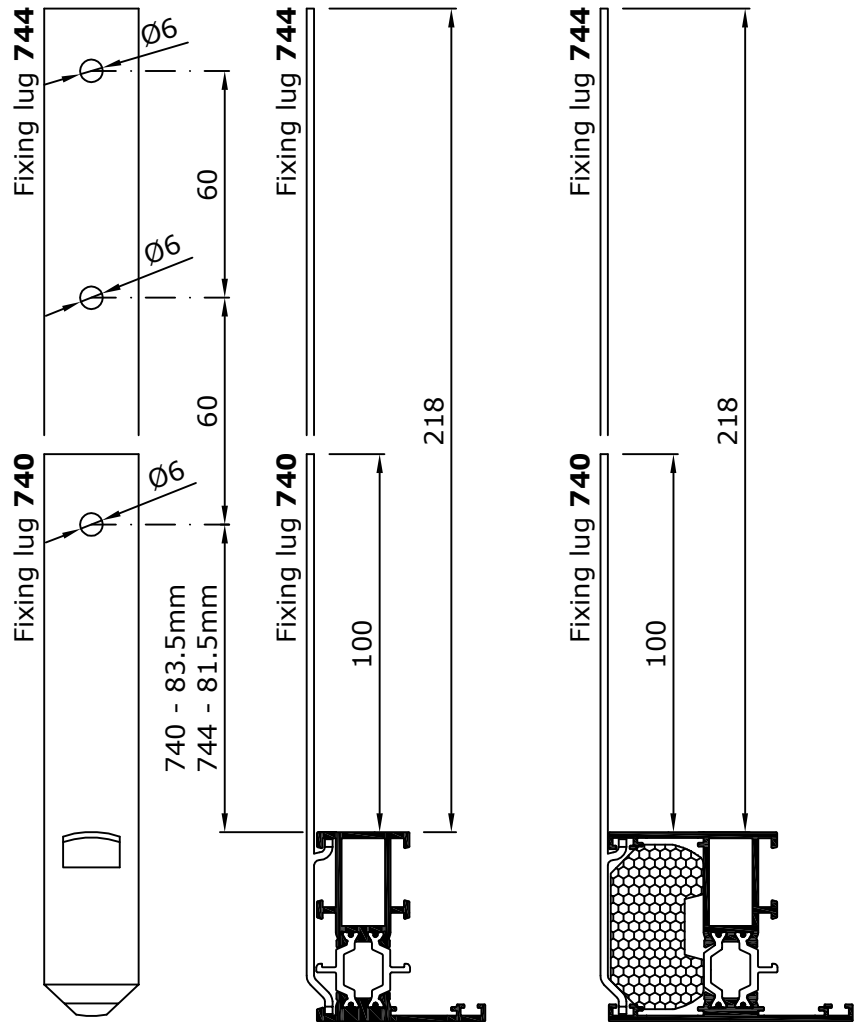
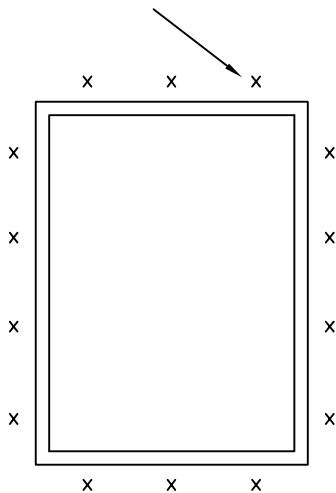
Fixing lugs provide lateral restraint only. Dead load support to be provided by perimeter structure.

All fixings to be adequate and suitable for loading conditions and application.

See sheet "Fixing Lug - Structural Limitations"

Particular consideration should be given to the dead load acting on the fixing lugs which may be cantilevered over the wall cavity at cill level. Additional support may be required.

Positions of fixing lugs 150mm from corners and maximum 600mm centres and 150mm either side of a mullion / transom



Section  
**100-200FF**  
**101-201FF**  
**105-205FF**

Section  
**102-202F**  
**103-203F**

\* All sealants to be installed in strict accordance with manufacturers relevant details and BS 6093 to suit site conditions.

Scale 1:2

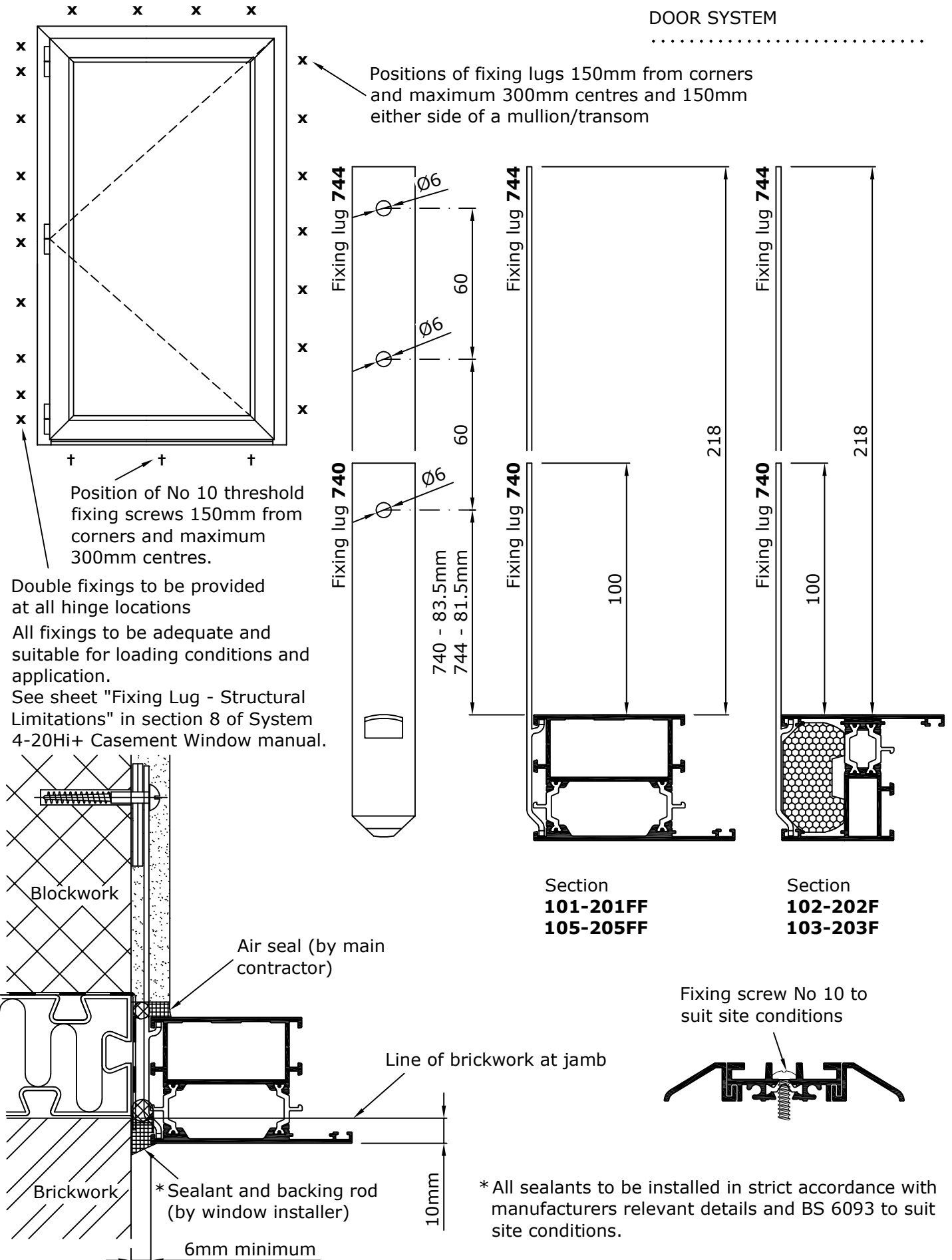
# Typical Fixing Detail

Fixing lugs provide lateral restraint only. Dead load support to be provided by perimeter structure.



**System 5-20D/Hi+**

DOOR SYSTEM



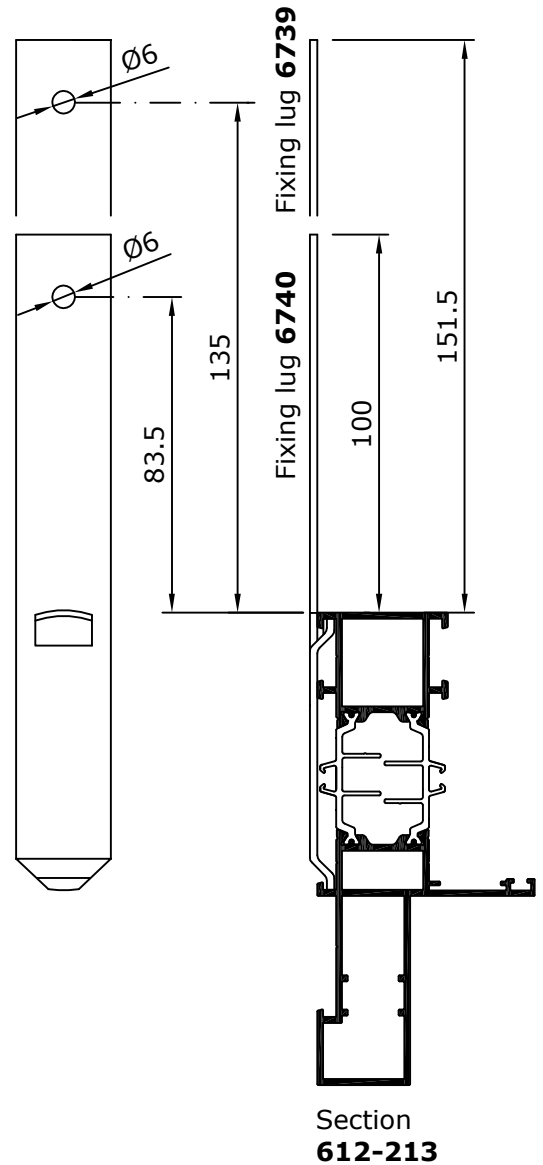
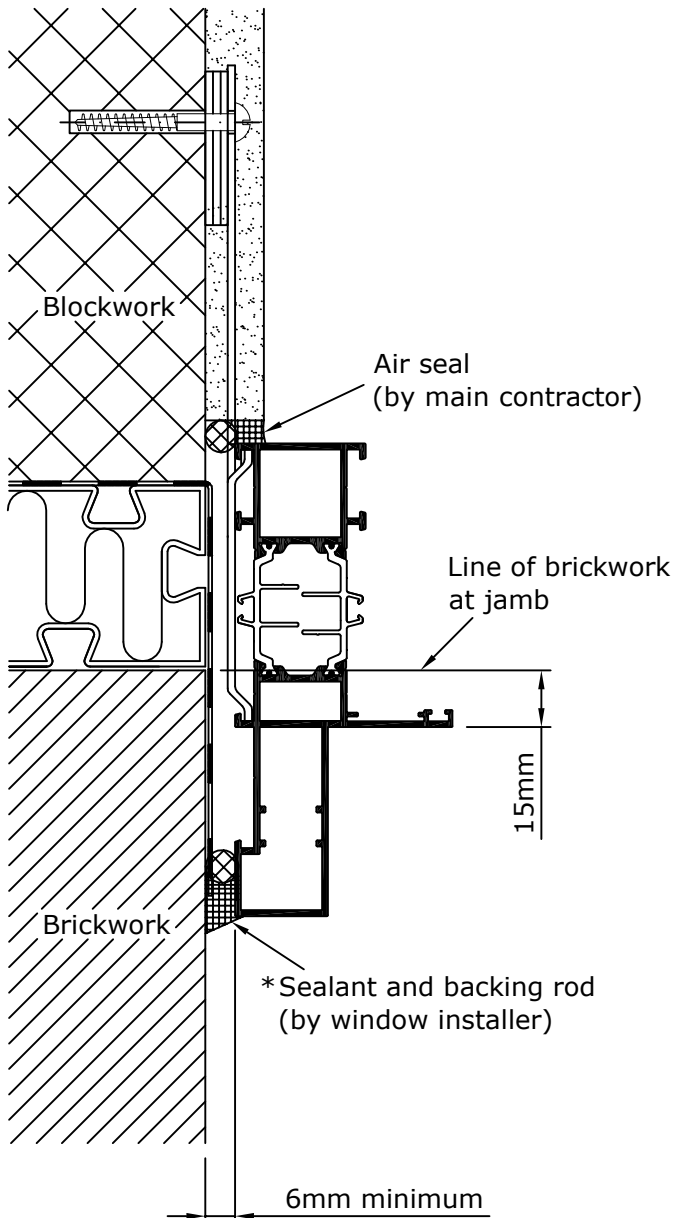
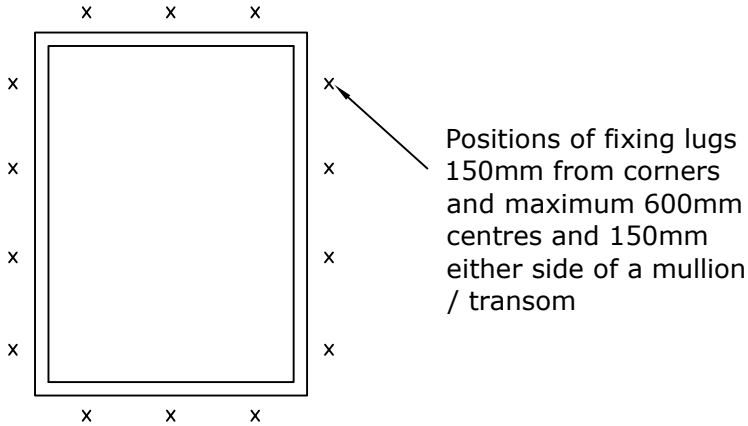
Scale 1:2

# Typical Fixing Detail

Fixing lugs provide lateral restraint only. Dead load support to be provided by perimeter structure.  
 All fixings to be adequate and suitable for loading conditions and application.

See sheet "Fixing Lug - Structural Limitations"

Particular consideration should be given to the dead load acting on the fixing lugs which may be cantilevered over the wall cavity at cill level. Additional support may be required.



\* All sealants to be installed in strict accordance with manufacturers relevant details and BS 6093 to suit site conditions.

Scale 1:2

# General Arrangement

## Intermediate Transom and Cill Details

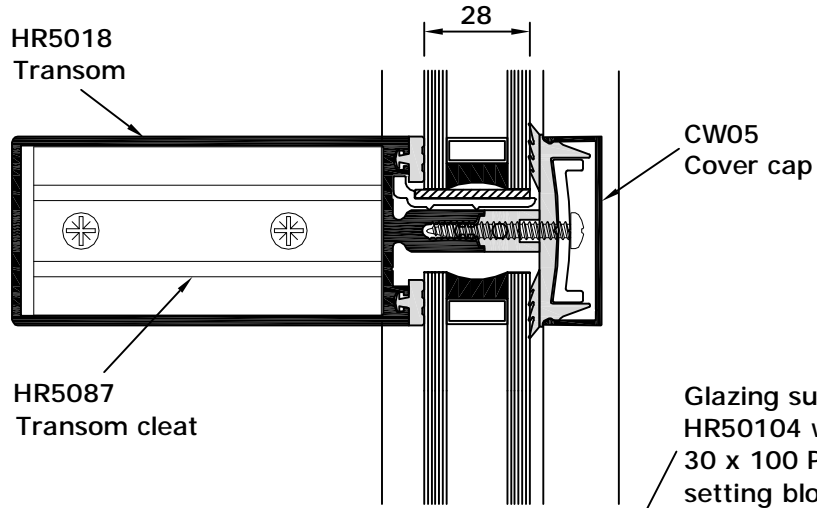
**m<sup>®</sup>**  
**System 17**

50mm HIGH RISE  
 CURTAIN WALLING

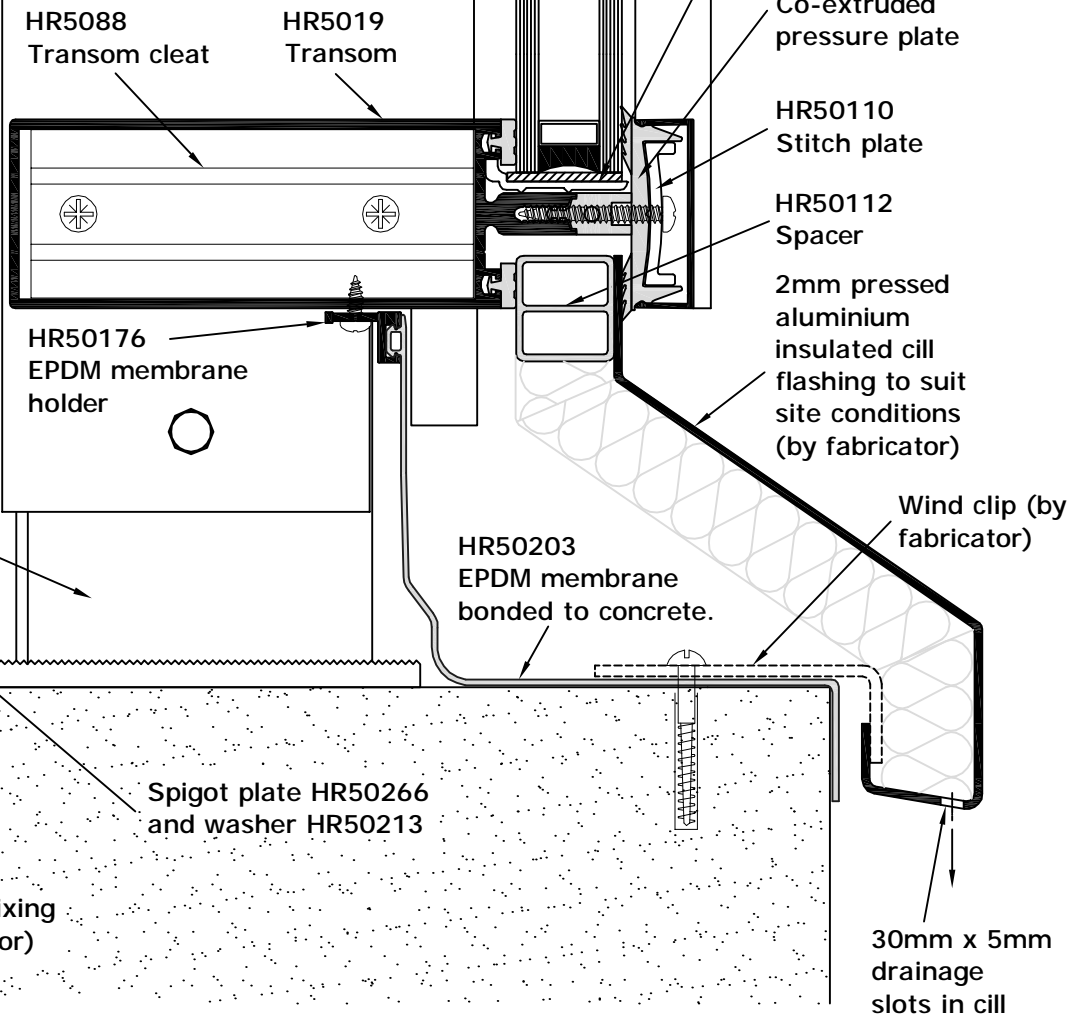
Perimeter weathering detail to structure to be determined by the fabricator to suit site conditions and DPC/DPM location.  
 All sections, spigots, brackets and fixings to be sized by a structural engineer to suit site conditions.

.....

### SECTION C-C



### SECTION D-D



Optional internal  
 closer and air  
 seal detail by  
 builder.

HR50242  
 Cill spigot

Spigot plate HR50266  
 and washer HR50213

Structural fixing  
 (by fabricator)

30mm x 5mm  
 drainage  
 slots in cill

Scale 1:2

SHEET 17 / 2 / 40  
 rev 7 04/10/09

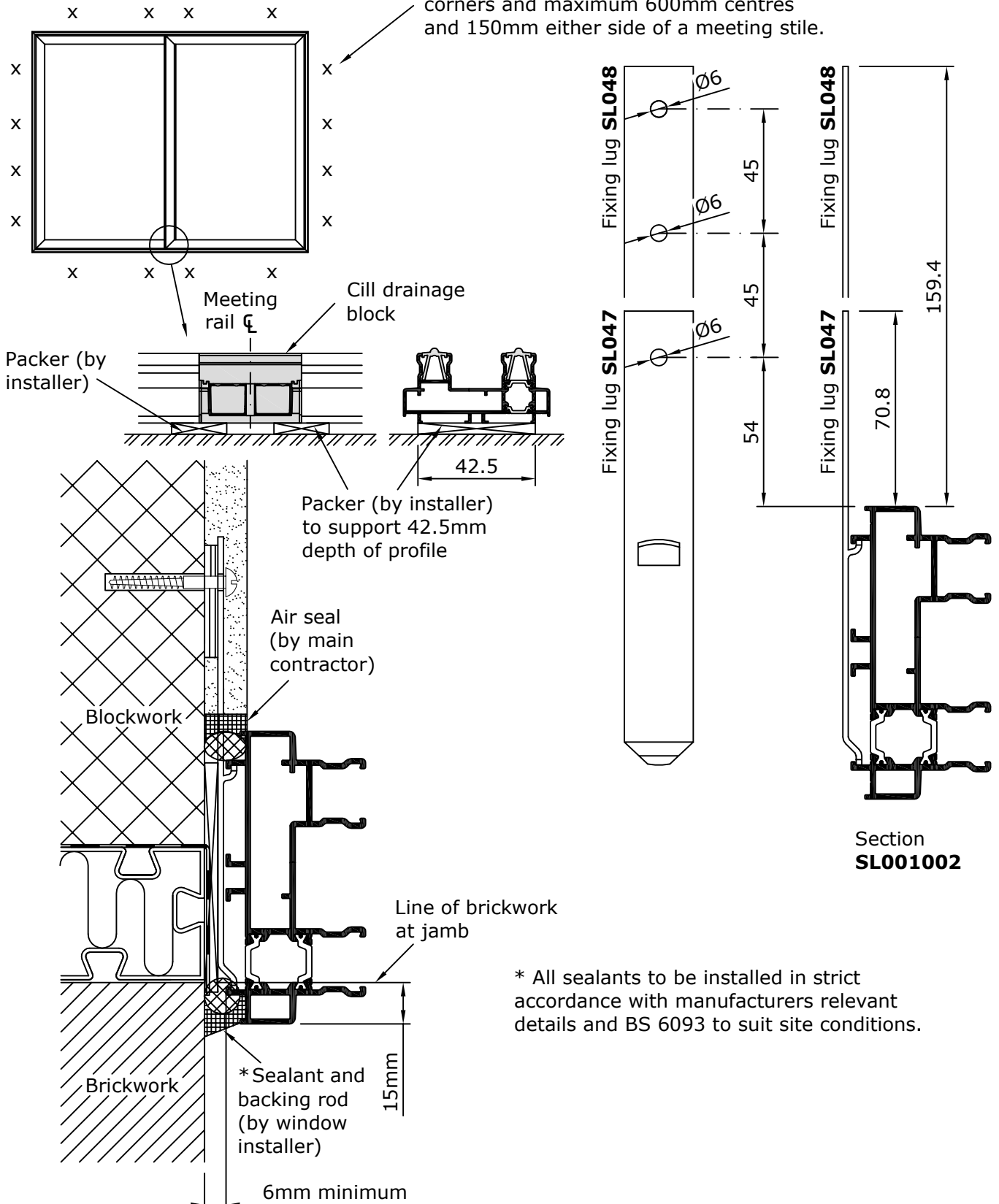
# Typical Fixing Detail

Fixing lugs provide lateral restraint only. Dead load support to be provided by perimeter structure. All fixings to be adequate and suitable for loading conditions and application.

Metal Technology recommend the use of fixing lugs, as direct fixing through the cill is not permitted.

Packers between frame and structure to be positioned at or adjacent to fixing lug positions at head and jambs, and at maximum 200mm centres at cill, and both sides of cill drainage block, as shown. Cill packers to support full width of profile.

Positions of fixing lugs 150mm from corners and maximum 600mm centres and 150mm either side of a meeting stile.

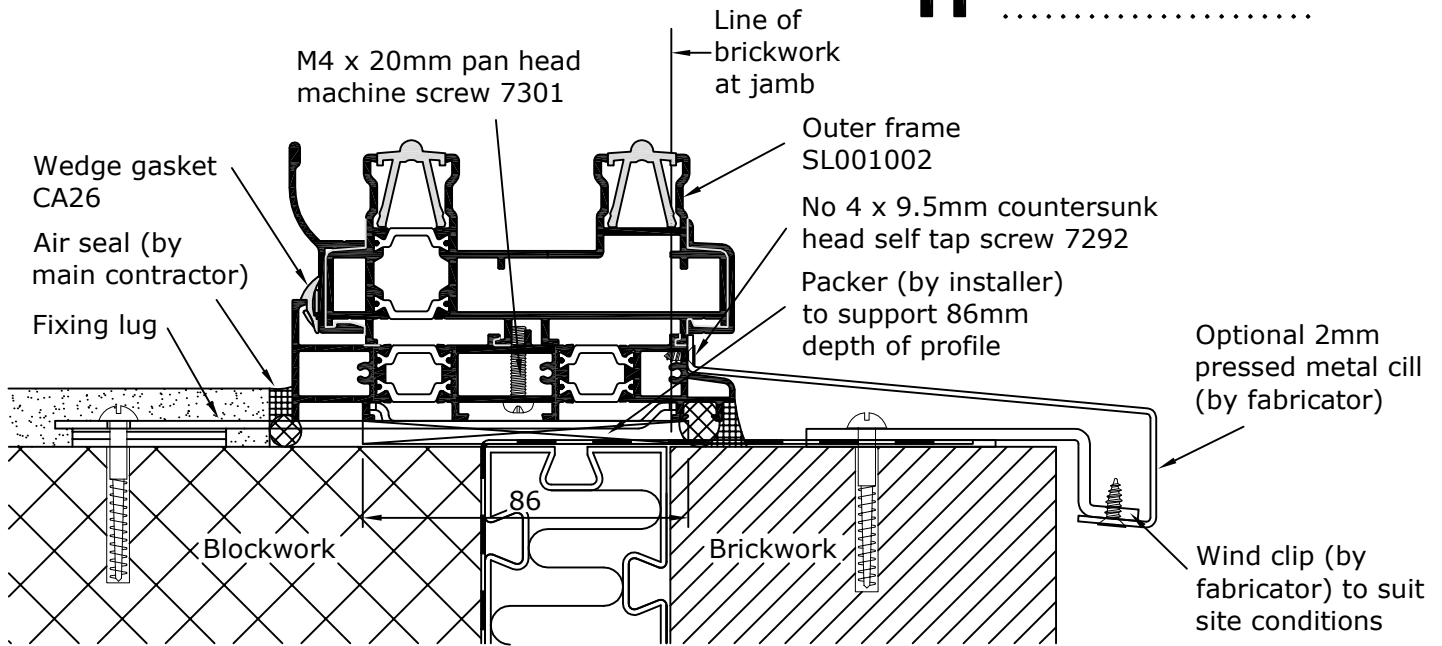


\* All sealants to be installed in strict accordance with manufacturers relevant details and BS 6093 to suit site conditions.

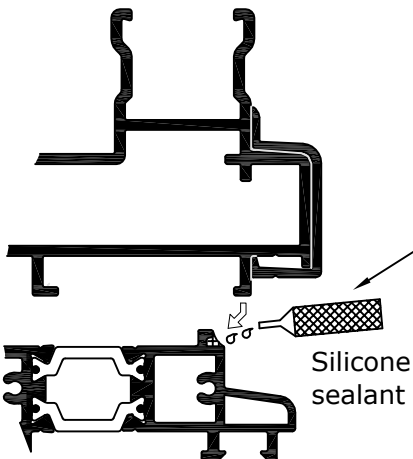
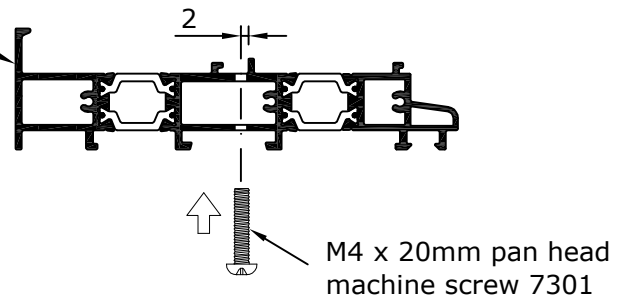
Not to Scale



# Typical Sub-Cill Detail

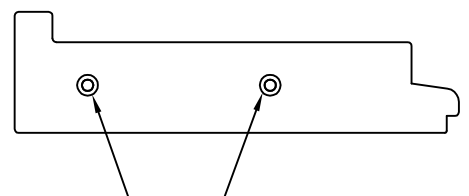


Drill and tap holes into cill SL104105106 to suit M4 screws, 75mm from each end and 75mm either side of the centre line of drainage blocks from SL058A interlock kit, and at not greater than 300mm centres.



Run bead of silicone along full length of cill as shown before attaching to outer frame SL001002

SL107 End cap (Black)



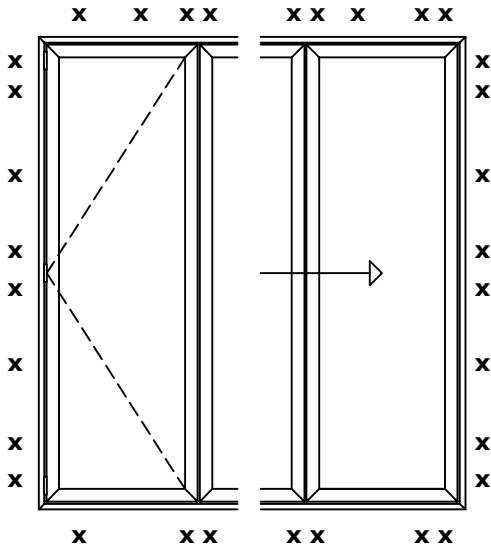
Holes to suit No 4 x 9.5mm countersunk self tapping stainless steel screw 7292

All sealants to be installed in strict accordance with manufacturers relevant details and BS 6093 to suit site conditions.

Scale 1:2

# Typical Lug Fixing Detail

## Open In and Open Out Applications (including Rebated Threshold)



Position of fixings lugs at head and cill must be 150mm from corners, 150mm either side of meeting stiles and maximum 300mm centres.

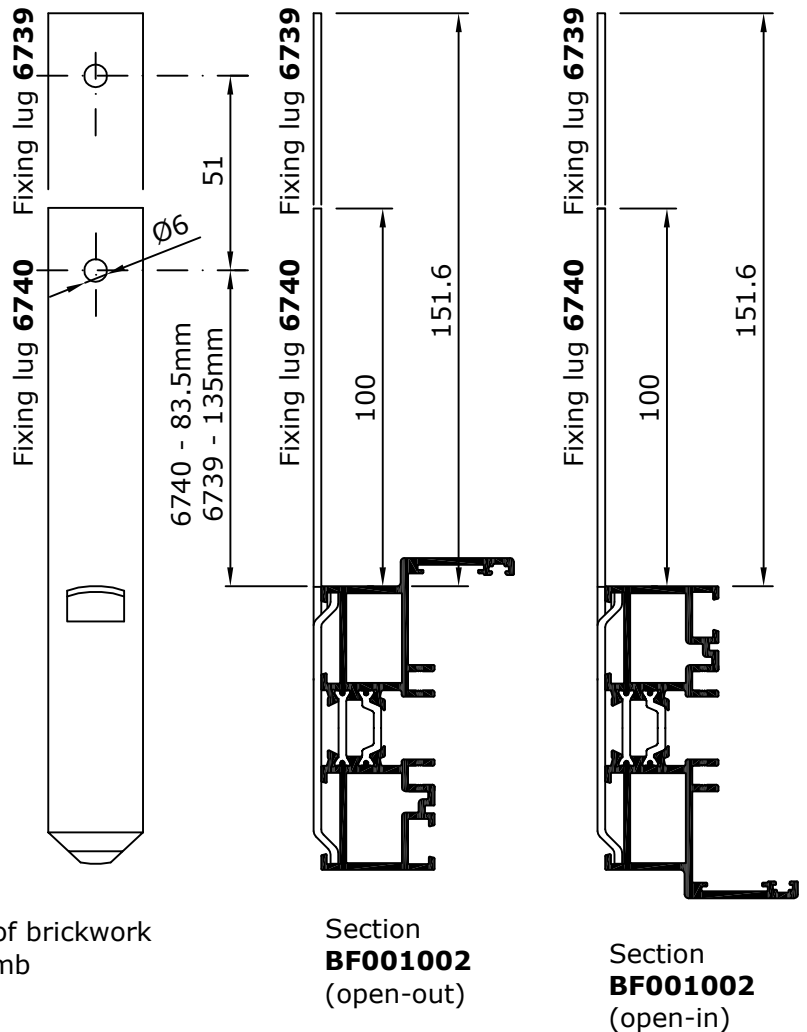
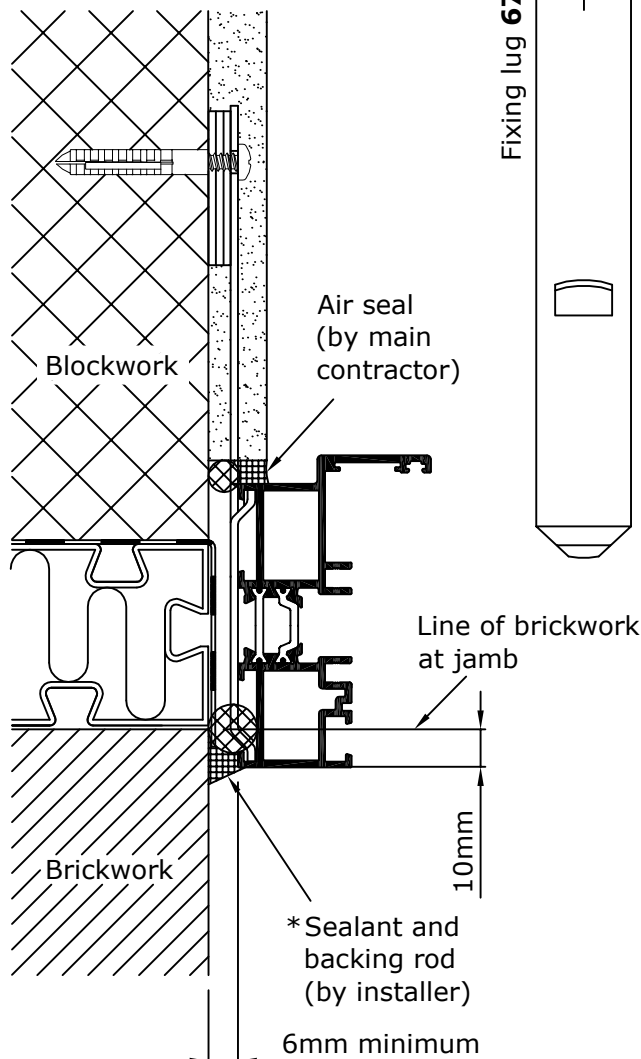
Double fixings to be provided at corners of stacking jamb.

Double fixings to be provided at all jamb hinge locations.

All fixings to be adequate and suitable for loading conditions and application.

Installer to ensure that all roller assemblies are fully supported by floor/packer when doors are closed, and in their final open stacked position. All packers to be adequately retained in position.

If flush threshold is required, refer to "Threshold Fixing Detail" on "Typical Direct Fixing Detail" sheet.



Rebated threshold to be fitted level. Where floor finish is uneven insert frame packers (by installer) below threshold at fixing positions.

\* All sealants to be installed in strict accordance with manufacturers relevant details and BS 6093 to suit site conditions.

Scale 1:2